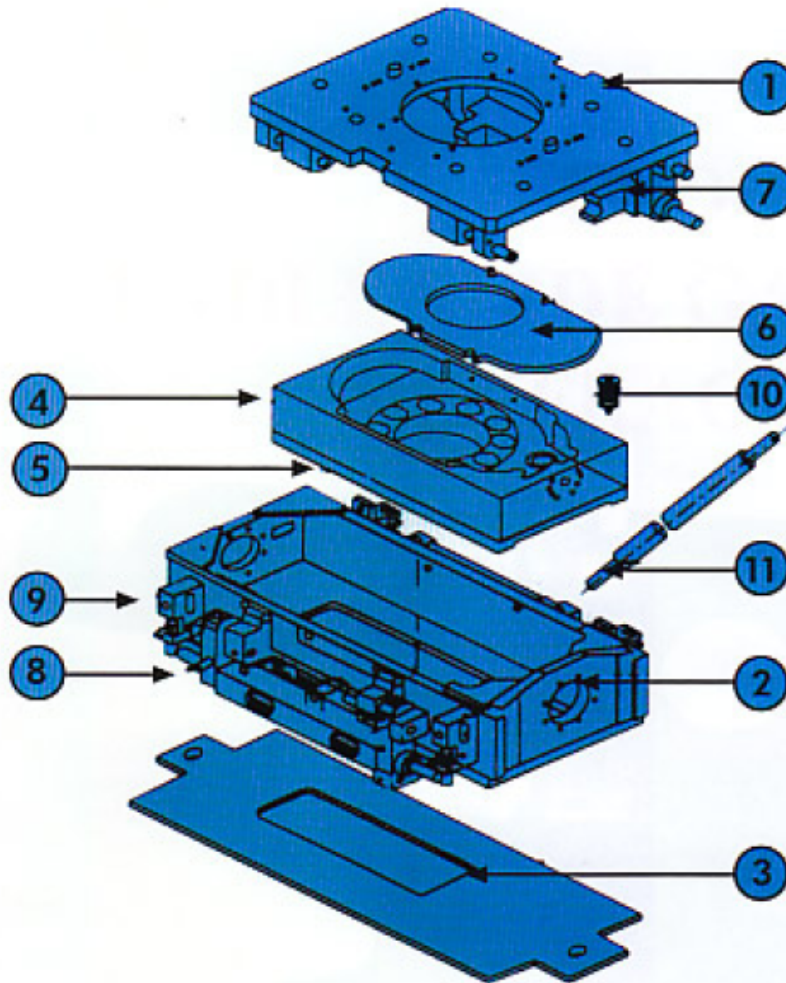
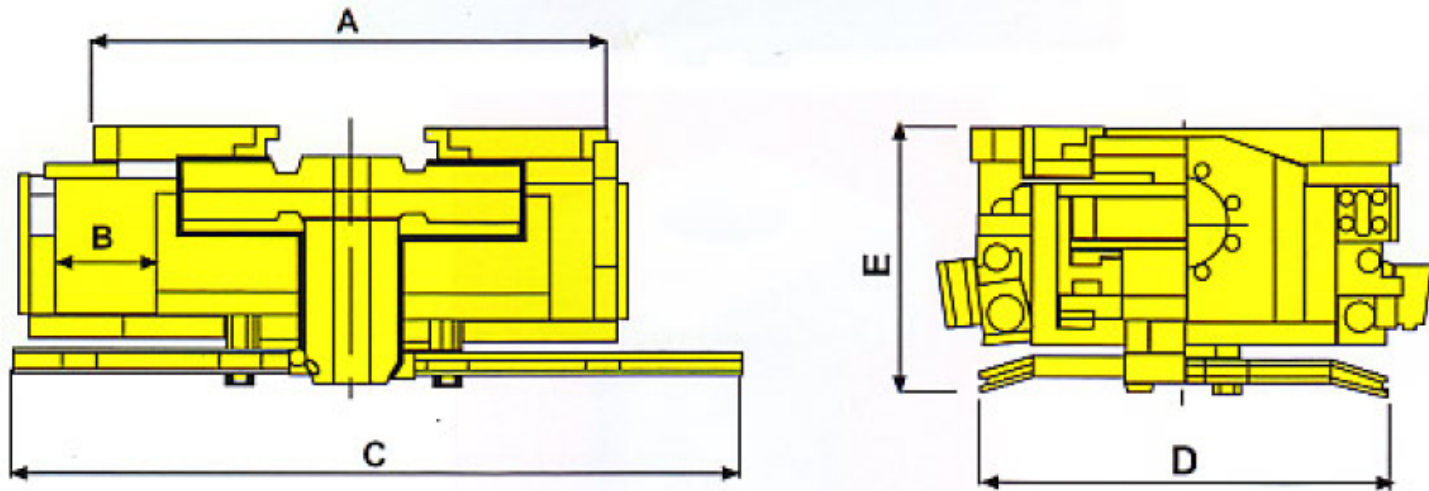


FLOCON MECHANISM : EXPLODED VIEW



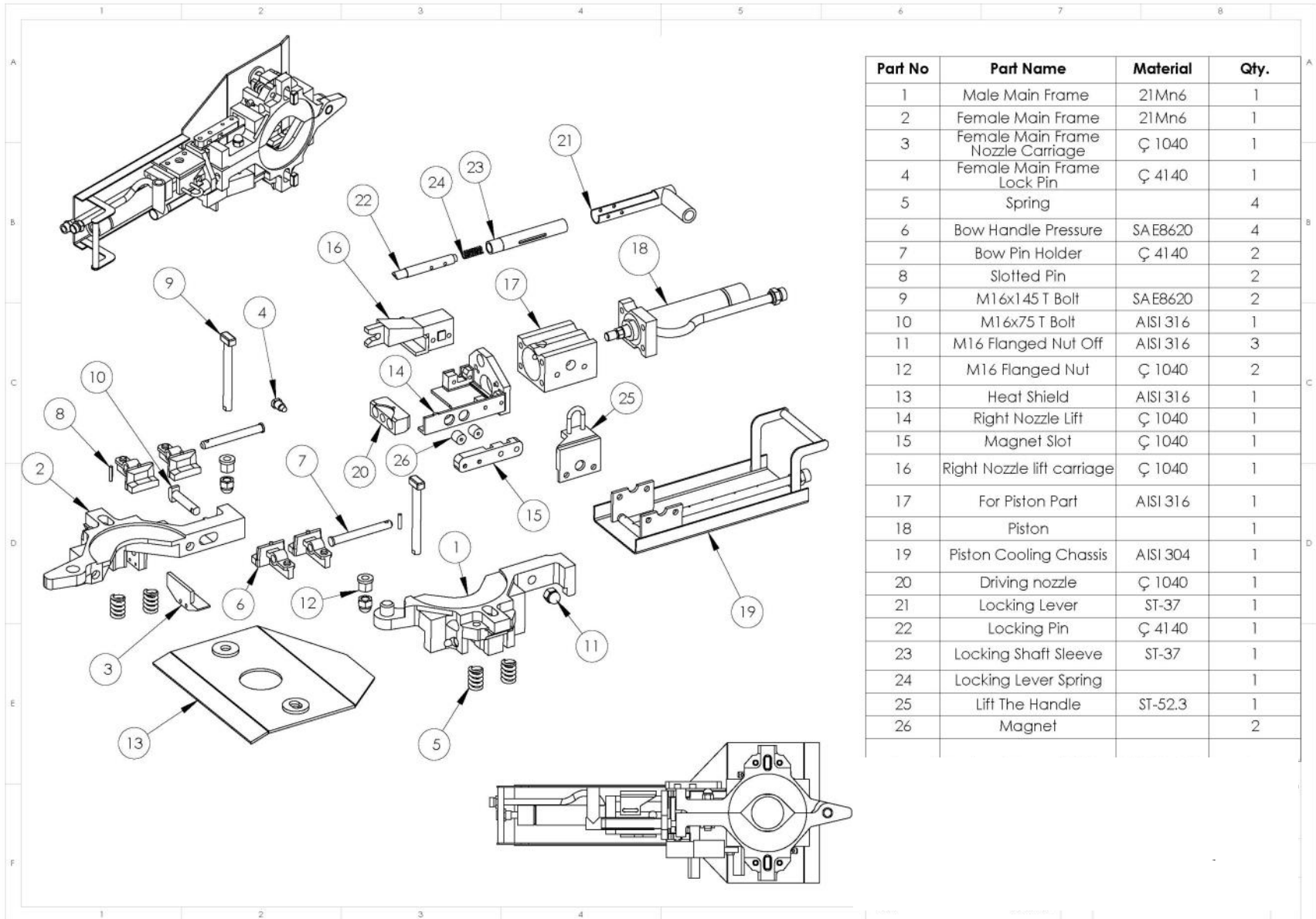
SL. NO.	NO. OFF	DESCRIPTION
1	1	MOUNTING PLATE ASS'Y
2	1	FRAME ASSEMBLY WITH FRAME BOTTOM
3	1	SLIDING HEAT SHIELD
4	1	CARRIER TOP
5	1	CARRIER BOTTOM
6	1	PRESSURE PLATE
7	1	LATCH ASSEMBLY
8	1	HINGE ASSEMBLY
9	1	HINGE RETAINER
10	14	SPRING / T.D.E.
11	2	CLOSING BAR

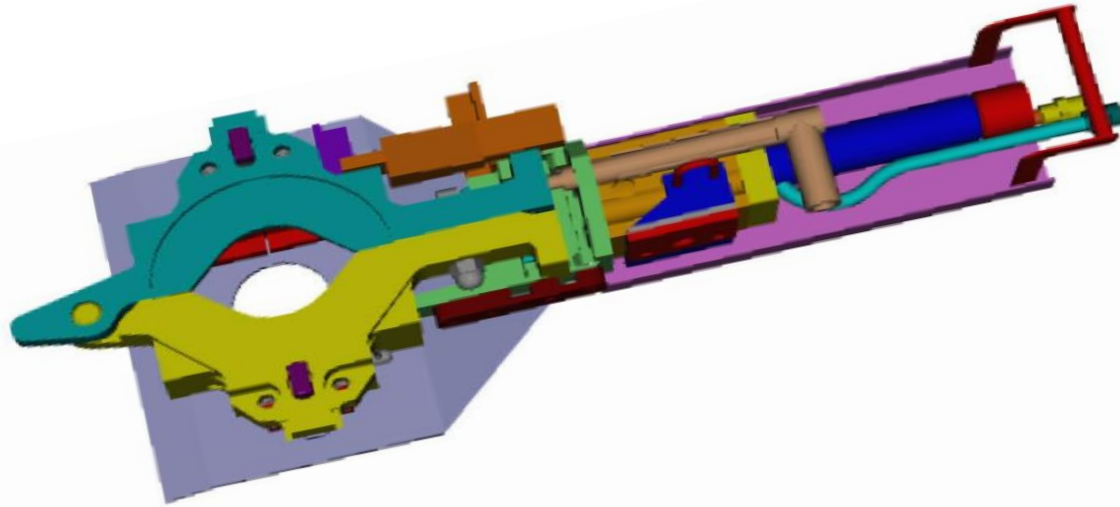


RANGE OF MODELS WITH CHARACTERISTIC FEATURES

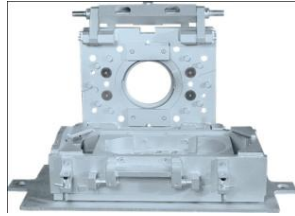
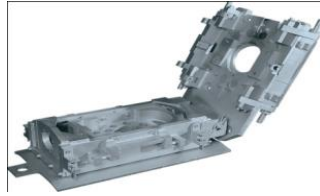
MODEL	RECOMMENDED MAXIMUM BORE SIZE (MM)	REFRACTORY PLATE TYPE	COLLECTOR NOZZLE TYPE	OVERALL DIMENSIONS				
				A	B	C	D	E
4200 Series II	55	4200	4200	610	114	860	470	310
6300 Series II	80	6300	6300	610	152	1120	480	310

Iron & Steel Mill Mechanisms

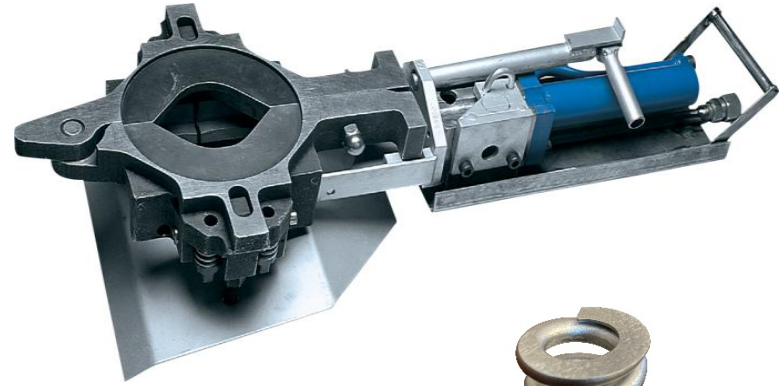




Ladle Sliding Gate Valves



Tundish Valves



Water Jackets & Others

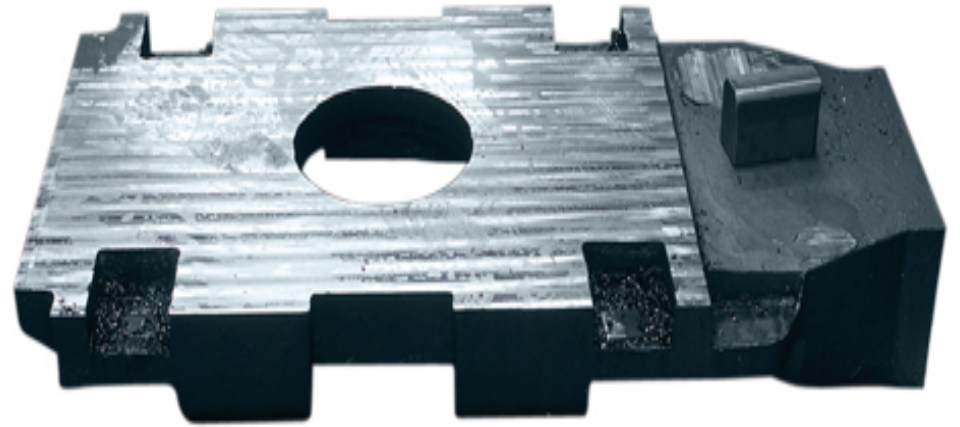
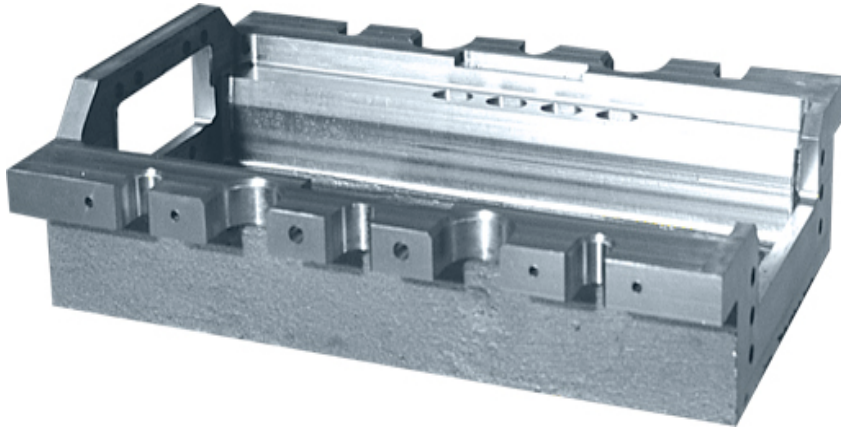
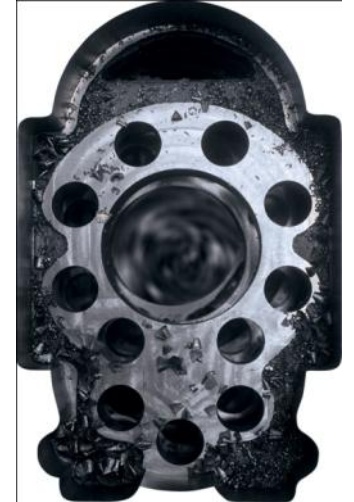
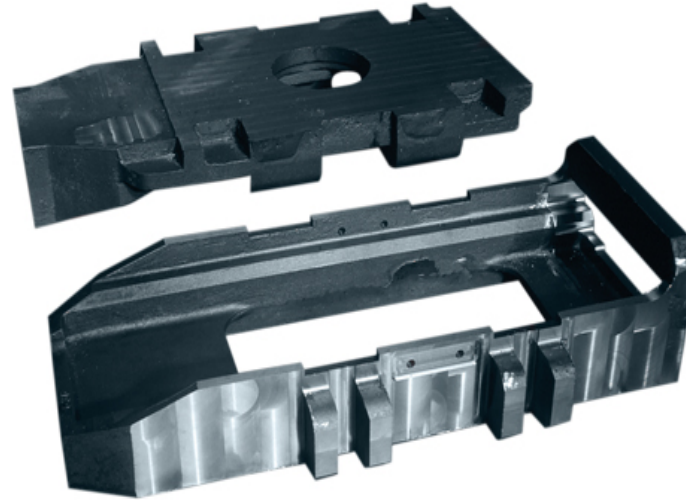
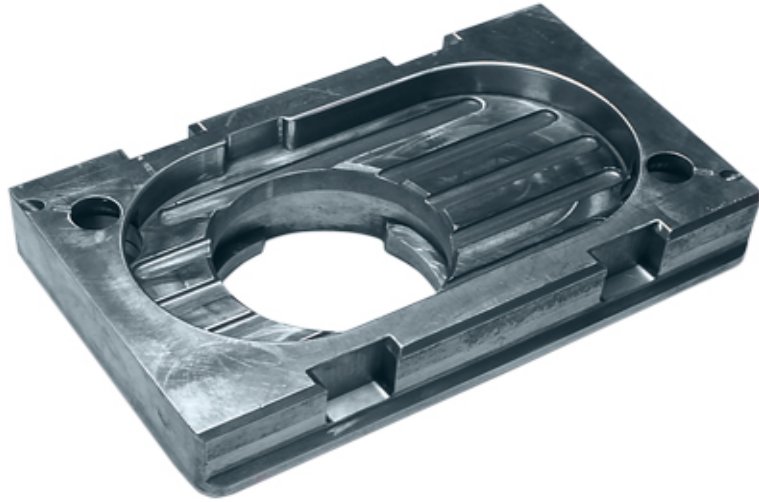


STELTECH

Iron & Steel Mill Mechanisms

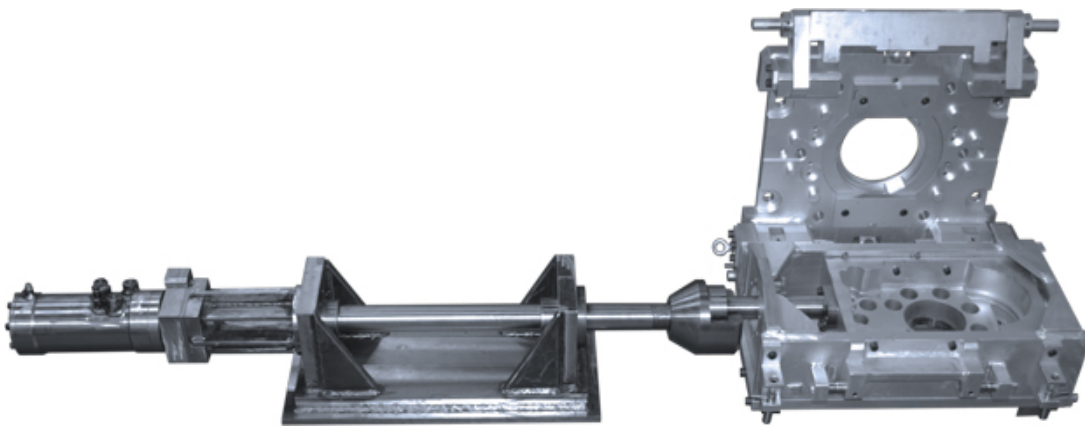
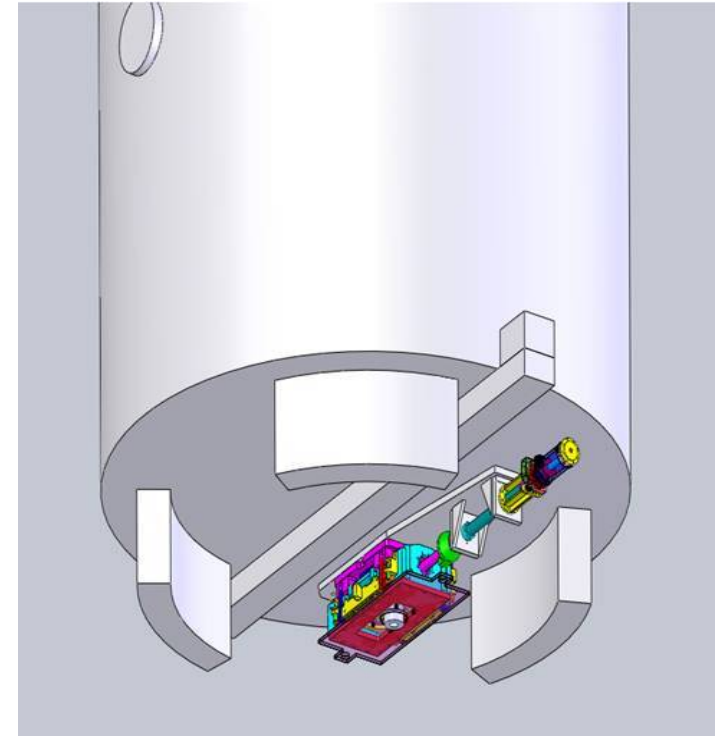
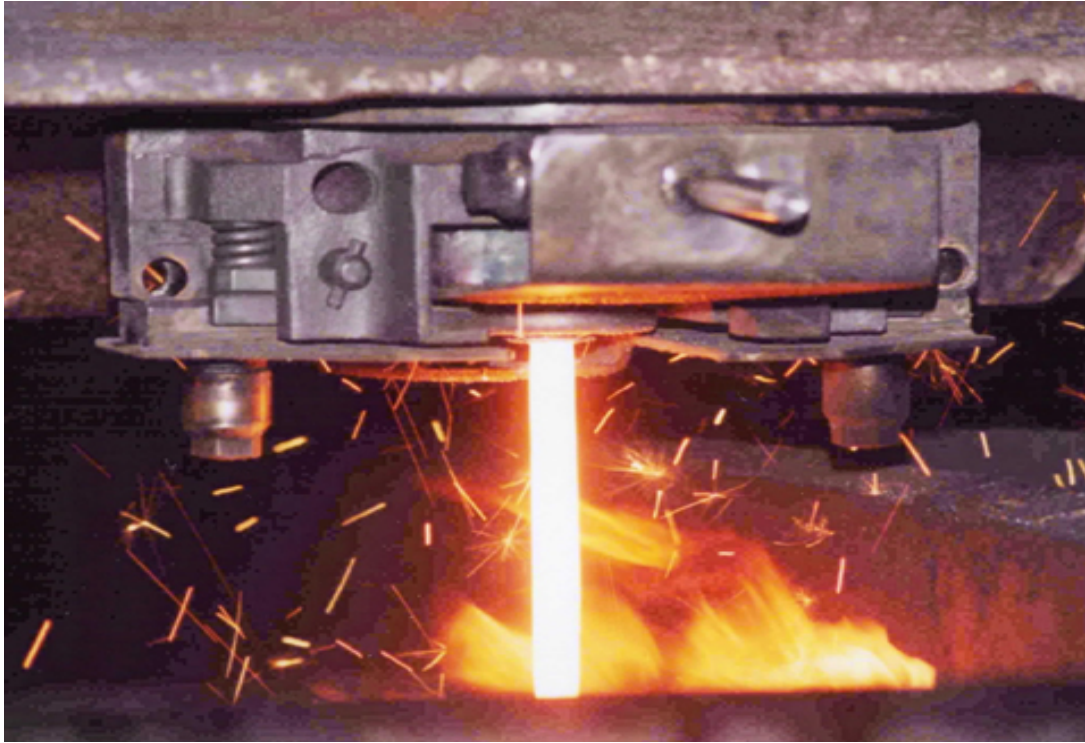
VesuVius LG, LV Parts

Interstop CS parts and others...



STELTECH

Sliding Gate Valves with Hydraulic Cylinder



THE NEW GENERATION OF SLIDING GATE VALVES

- Increased safety
- Easy cleaning of the mechanism
- Reduced costs for maintenance and wear parts
- All the advantages of the traditional system are maintained
- Ease of handling
- On/Off with a hydraulic cylinder